

## Venting chimney BKA 1



The figure shown here may contain special accessories.

**Venting chimney DN 150** (154 mm outside dia.), with insect-proof stainless steel screen, mesh 1x1 mm, free sectional area 37%, with attached hood, completely made of 1.4307 (AISI 304 L) stainless steel.

Completely shielded arc welded, acid-treated in a pickling bath and passivated.

### I. Vertical installation

Length L = \_\_\_\_\_ mm

### II. Wall installation

Flange for bolted fixing to the outer tank wall, drain trap DN 20 for condensate with stainless steel screen, lateral wall distance to pipe axis: 227 mm. Vertical pipe length

L = \_\_\_\_\_ mm

### Options I for vertical installation:

- ▶ Adjustable wall flange
- ▶ Welded-on wall flange
- ▶ Welded-on dowel flange
- ▶ Rubber seal and fixing material for the dowel flange
- ▶ Pipe saddle DN 150, wall distance to pipe axis: 227 mm ± 30 mm
- ▶ PVC connection possible (only for manhole interior)

### Options II for lateral installation:

- ▶ Guard grille for dowelling to the inner tank wall, mesh 10 x 10 mm, free cross section, 55%
- ▶ Rubber seal and fixing material for the dowel flange
- ▶ Pipe saddle DN 150, wall distance to pipe axis: 227 mm ± 30 mm

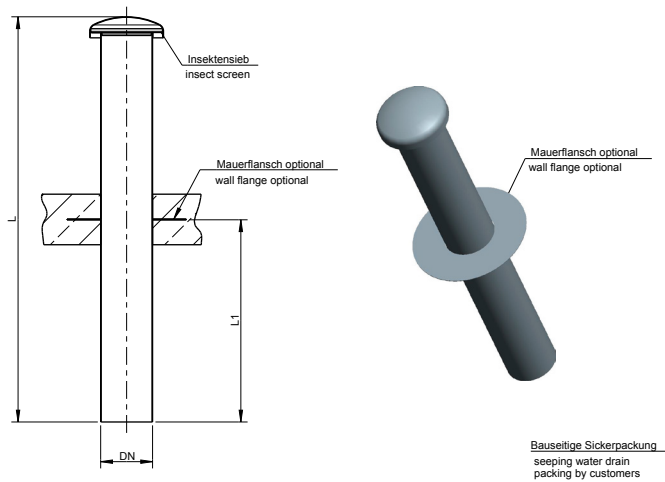
### Options for both installation variants:

- ▶ Replaceable pollen filter
- ▶ Tubular biofilter within the ventilating chimney for odour elimination
- ▶ 1.4404 (AISI 316 L) stainless steel
- ▶ Other pipe diameters

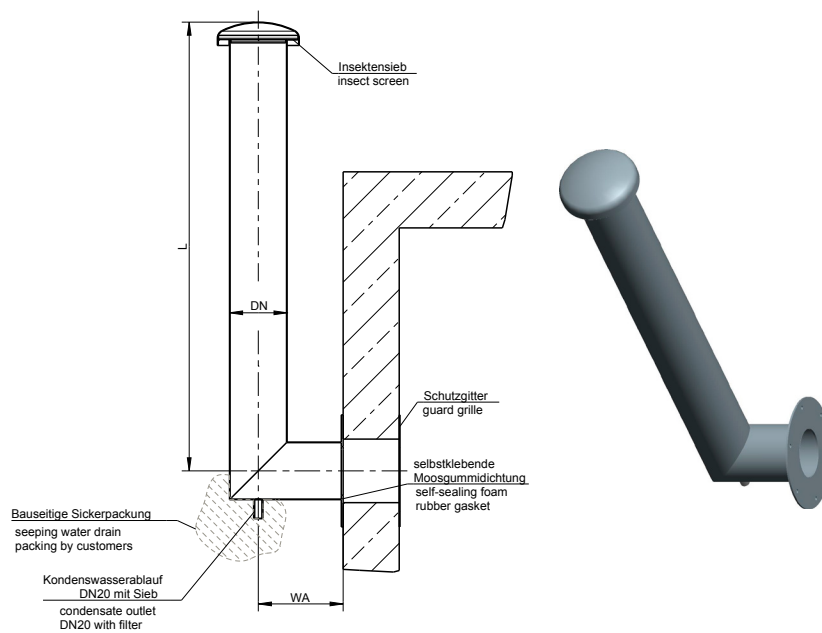


**I. Senkrechter Einbau**  
(Darstellung mit Mauerflansch)

**I. vertical installation**  
(version with wall flange)



**II. Seitlicher Einbau**  
**II. wall installation**



Order no.	Length, only for vertical type (I.)
BKA 1000	1000
BKA 1500	1500
BKA 2000	2000
BKA 2500	2500
BKA 3000	3000
BKA 3500	3500



**Venting chimney BKA 1**

Subject to technical modification | Drawing no. 50945691, 9.2023