

Insertable entrance aid EH FSS, insertable pivoted type EH FSSD



The figure shown here may contain special accessories.

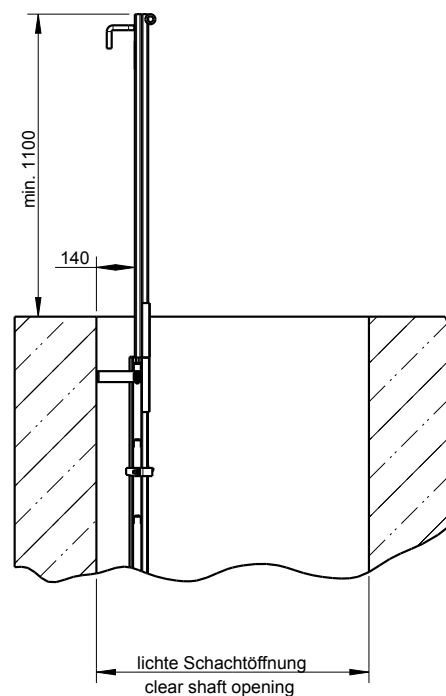
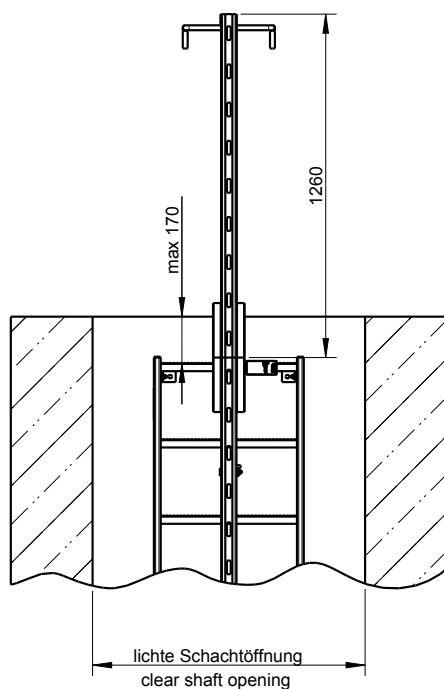
Insertable entrance aid, design certification in accordance with DIN 19572, made of 1.4307 (AISI 304 L) stainless steel, for safety access ladders with 400 mm or 500 mm width with guard rail and safety climbing devices. Entrance aid in accordance with DIN 19572.

Access ladders must have a handhold at their exit. This requirement is deemed to be fulfilled if one or both handles of a ladder project at least 1,1 m beyond the exit height.

Completely shielded arc welded, acid-treated in a pickling bath and passivated.

Options:

- ▶ 1.4404 (AISI 3016 L) stainless steel
- ▶ Pivoted design, type EH FSS D, for comfortable attachment of the safety belts



Insertable entrance aid EH FSS, insertable pivoted type EH FSSD

Subject to technical modification | Drawing no. 50934024, 5.2022

HUBER SE | Industriepark Erasbach A1 | D-92334 Berching | Telefon: +49 8462 201-0 | info@huber.de | www.huber.de