

## Manhole cover SD11, for flush fitting, lightweight design



*The figure shown here may contain special accessories.*

**Manhole cover**, lift-off design, for flush fitting, weather-proof, rectangular type, load-bearing up to 500 kg/m<sup>2</sup>, made of 1.4307 (AISI 304 L) stainless steel.

**The cover** consists of a stainless steel tear pattern plate, with additional bracing on the bottom according to static requirements, certified slip resistance – grip coefficient USRV 54, with a low-wear seal on the cover bottom side, lockable with hexagon screws.

**Frame** made from U-profile, provided for installation in an existing rabbit.

Manhole cover and frame shielded arc-welded, acid-treated in a pickling bath and passivated.

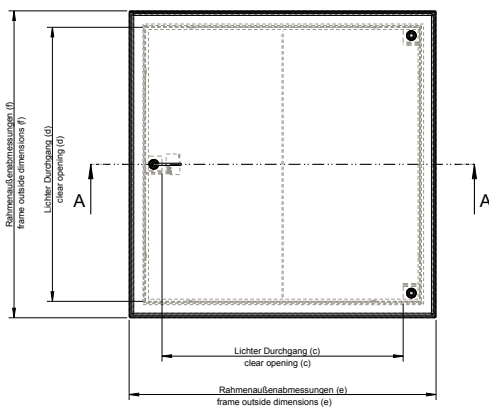
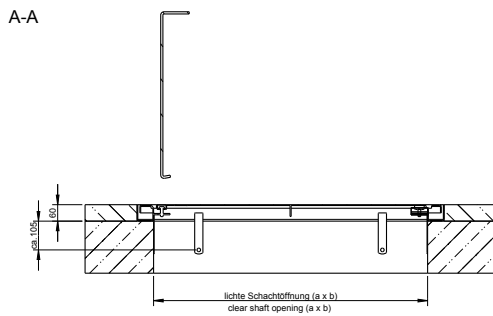
Operating key included.

### Options:

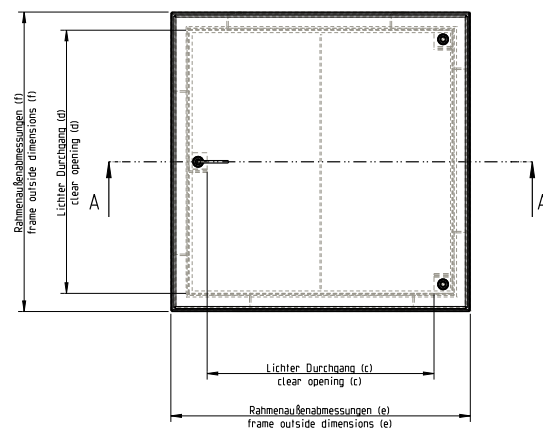
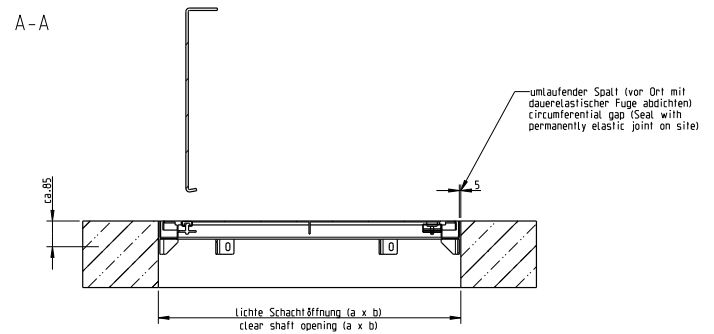
- ▶ 1.4404 (AISI 316 L) stainless steel
- ▶ With hinges, stainless steel gas-assisted spring dampers and integrated arrestor which can only be undone by hand
- ▶ For installation into a manhole neck
- ▶ Fixing material and foam rubber gasket
- ▶ Magnetic contact (cover open/shut indicator)
- ▶ Safety guard / barrier
- ▶ Safety guard / antifall guard
- ▶ Multi-part cover



SD11, installed in on-site rabbet



SD11, installed in manhole neck



Bei Sonderausführungen oder mehrteiliger Ausführung sind Änderungen der Rahmenhöhe möglich.  
For special designs or multi-part designs, changes to the frame height are possible.

Model	Size a x b	Order no.	Inside pass c x d	Frame outside dimensions e x f
Standard Model, lift-off design, installation in rabbet	800 x 800	SD11.1 800x800	792 x 680	920 x 920
Standard Model, lift-off design, installation in rabbet	1000 x 1000	SD11.1 1000x1000	992 x 880	1120 x 1120
Standard Model, lift-off design, installation in manhole neck	800 x 800	SD11.1 800x800 AD	670 x 550	790 x 790
Standard Model, lift-off design, installation in manhole neck	1000 x 1000	SD11.1 1000x1000 AD	870 x 750	990 x 990

Ask for further dimensions. All measurements in mm.

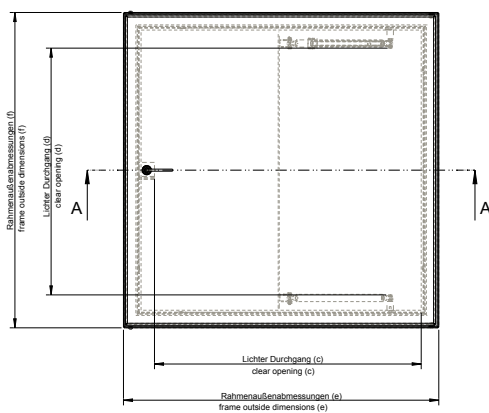
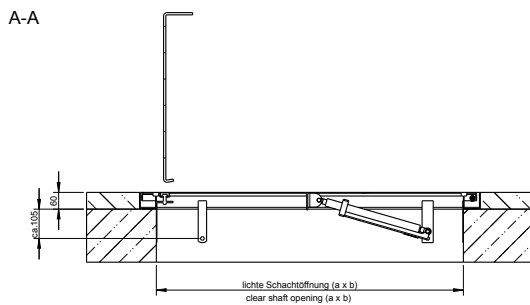


Manhole cover SD11, for flush fitting, lightweight design

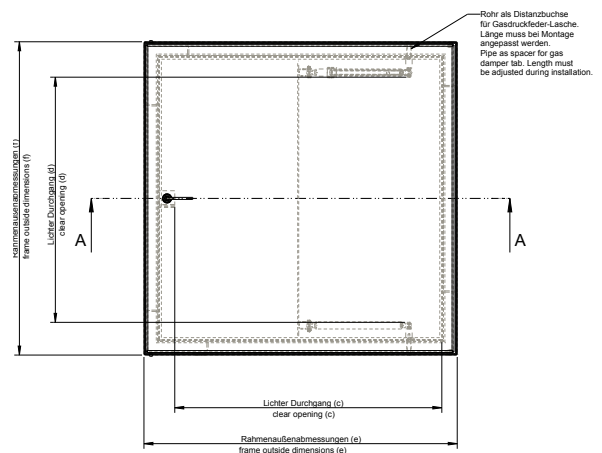
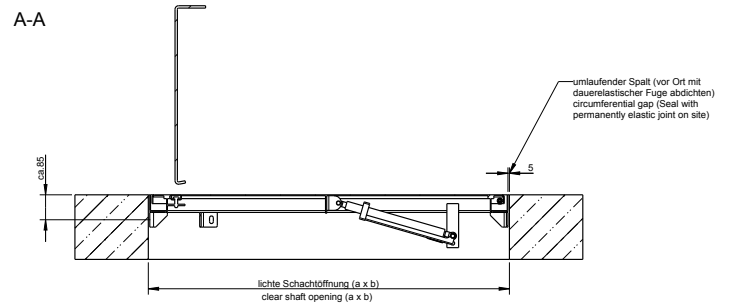
Subject to technical modification | Drawing no. 51292113, 51293653, 2.2024

HUBER SE | Industriepark Erasbach A1 | D-92334 Berching | Telefon: +49 8462 201-0 | info@huber.de | www.huber.de

SD11, installed in on-site rabbet  
with gasassisted spring dampers



SD11, installed in manhole neck with gas-  
assisted spring dampers



Bei Sonderausführungen oder mehrteiliger Ausführung sind Änderungen der Rahmenhöhe möglich.  
For special designs or multi-part designs, changes to the frame height are possible.

Ausführung	Size a x b	Order no.	Inside pass c x d	Frame outside dimensions e x f
Standard Model, with gas assisted spring dampers, installation in rabbet	800 x 800	SD11.1 800x800 GDF	800 x 685	920 x 920
Standard Model, with gas assisted spring dampers, installation in rabbet	1000 x 1000	SD11.1 1000x1000 GDF	845 x 940	1120 x 1120
Standard Model, with gas assisted spring dampers, installation in manhole neck	800 x 800	SD11.1 800x800 AD GDF	670 x 555	790 x 790
Standard Model, with gas assisted spring dampers, installation in manhole neck	1000 x 1000	SD11.1 1000x1000 AD GDF	870 x 755	990 x 990

Ask for further dimensions. All measurements in mm.



Manhole cover SD11, for flush fitting, lightweight design

Subject to technical modification | Drawing no. 51292113, 51293653, 2.2024

HUBER SE | Industriepark Erasbach A1 | D-92334 Berching | Telefon: +49 8462 201-0 | info@huber.de | www.huber.de