

## Entrance handle SiS 5 HB

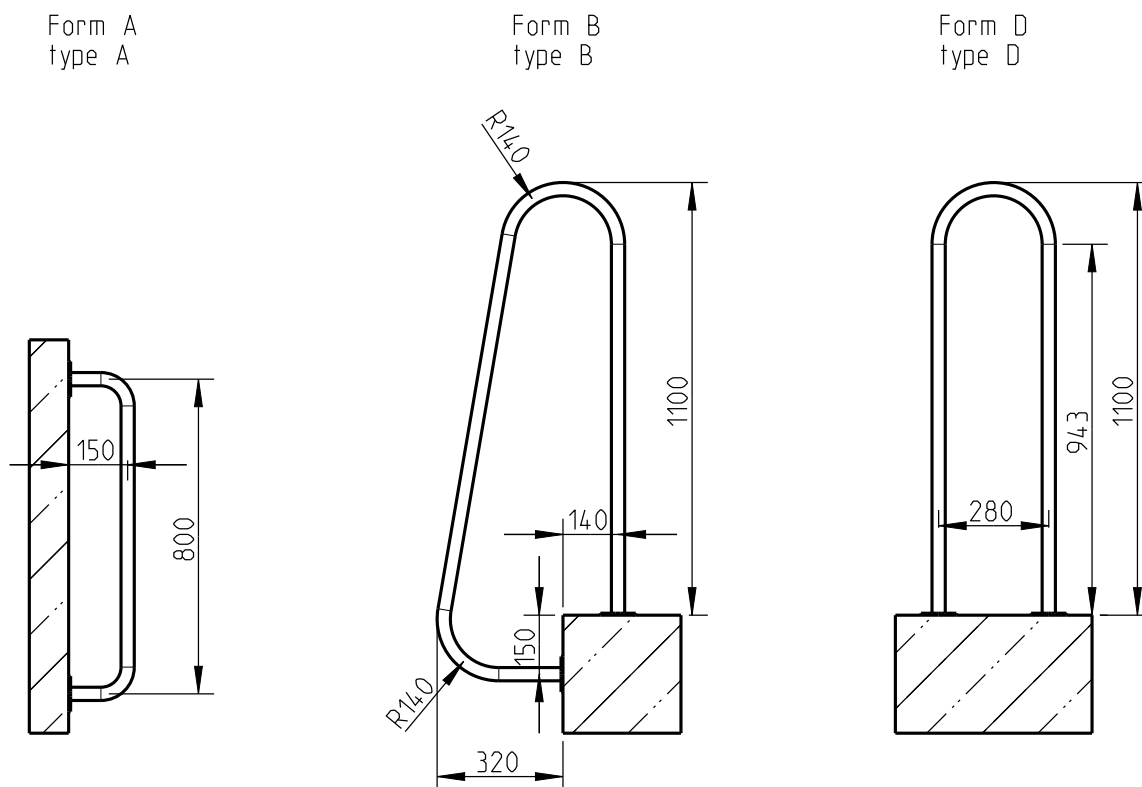
**Entrance handle**, completely made of 1.4307 (AISI 304 L) stainless steel.

Consisting of bent pipe 33.7 x 2.0 mm with fixing plates for wall fixing.

Entrance handle, completely shielded arc welded, acidtreated in a pickling bath and passivated.

### Options:

- ▶ 1.4404 (AISI 316 L) stainless steel
- ▶ Stainless steel fixing material: stud anchors



Option	Order no.
Form A	HEB A
Form B	HEB B
Form D	HEB D



Entrance handle SiS 5 HB

Subject to technical modification | Drawing no. 190.150, 5.2022

HUBER SE | Industriepark Erasbach A1 | D-92334 Berching | Telefon: +49 8462 201-0 | info@huber.de | [www.huber.de](http://www.huber.de)