

Window with thermo glass and reversible hinged frame F4



The figure shown here may contain special accessories.

Casement window, tilt and turn window, ready for installation, made from two-sheet special 1.4301 (AISI 304) stainless steel profile with intermediate special plastic core to prevent thermal conduction, thermally insulated according to EN 10077, $U_f = 2.70 \text{ W}/(\text{m}^2\cdot\text{K})$, fittings specially E-Look galvanised, stainless steel handle set.

Blind frame, circumferential, made from special profile, designed for dowelling into window soffit, including fixing material.

Sash frame, made from Z-profile, integrated fittings. Multiple locking via handle set. Two rebate gaskets. Glazing bead invisibly fastened.

Machine ground **surface finish**.

Dry glazing with insulation glass, without KTW approval.

Window opening options:

- ▶ Hinges on left
- ▶ Hinges on right

Options:

- ▶ 1.4404 (AISI 316 L) stainless steel
- ▶ Secure to prevent forced access according to DIN EN 1627, RC3, galvanised fittings, only possible with wet glazing
- ▶ Special glazing (e.g. security glass)
- ▶ Multi-wing window
- ▶ Outside window sill made from stainless steel
- ▶ Water chamber window (with drain holes towards the dry side, with wet glazing, KTW approved)
- ▶ Lockable handle set provided for profile cylinder
- ▶ Other designs available on request

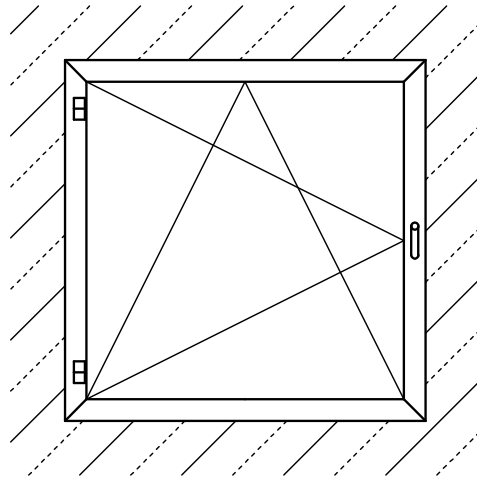


Window with thermo glass and reversible hinged frame F4

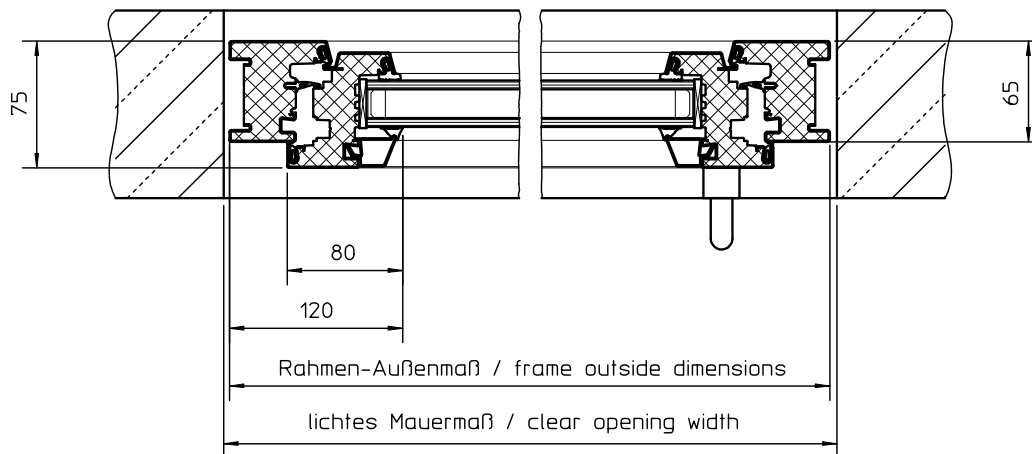
Subject to technical modification | Drawing no. 190.479, 5.2022

HUBER SE | Industriepark Erasbach A1 | D-92334 Berching | Telefon: +49 8462 201-0 | info@huber.de | www.huber.de

Ansicht / view



Schnitt / section



Frame window	Clear wall opening w / h	Maximum wing weight	Aspect ratio w / h
Typ F4	one-wing: w = 415–1124 / h = 625–744	130 kg	max. 1:0,75
	one-wing: w = 415–1324 / h = 745–924		
	one-wing: w = 415–1524 / h = 925–2250		

Available dimensions. All measurements in mm.



Window with thermo glass and reversible hinged frame F4

Subject to technical modification | Drawing no. 190.479, 5.2022

HUBER SE | Industriepark Erasbach A1 | D-92334 Berching | Telefon: +49 8462 201-0 | info@huber.de | www.huber.de